

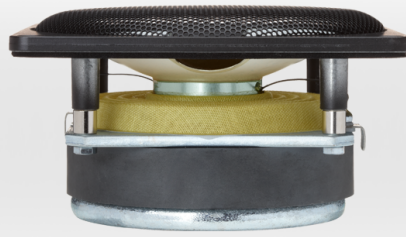
## C90-6-078

Midrange driver

DOMEMATERIAL: CERAMIC  
APPLICATION: MIDRANGE  
NOMINAL DIAMETER: 130 mm  
SENSITIVITY: 88 dB

### MAIN FEATURES :

- SPECIAL DOME CUTOUTS
- OVERHUNG MOTOR DESIGN
- 38 MM ALUMINIUM VC FORMER
- SOFT FABRIC SURROUND
- VENTED POLE PIECE & SPIDER
- 200 HZ - 5 KHZ IN CLOSED BOX



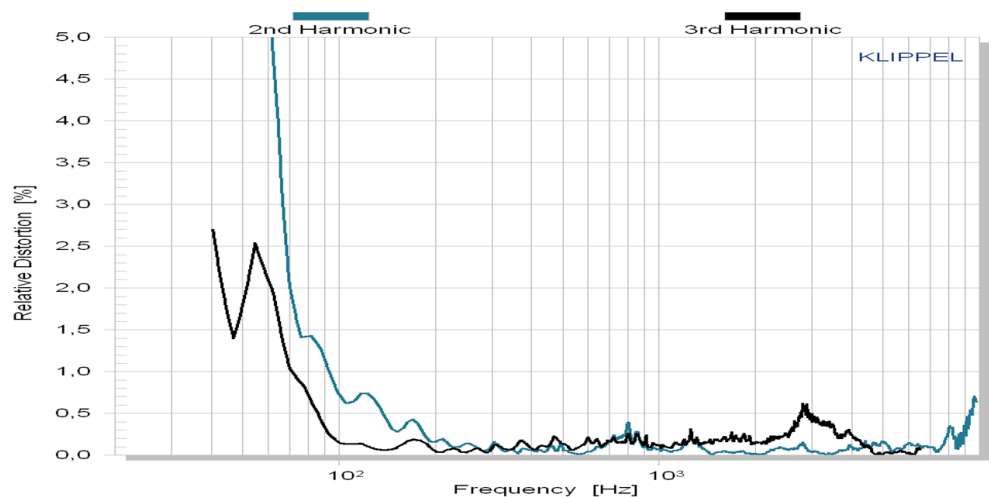
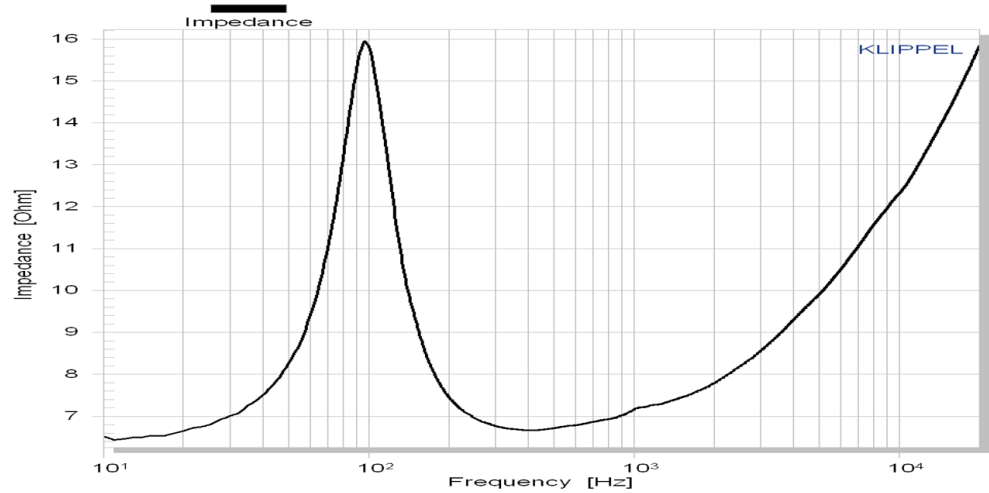
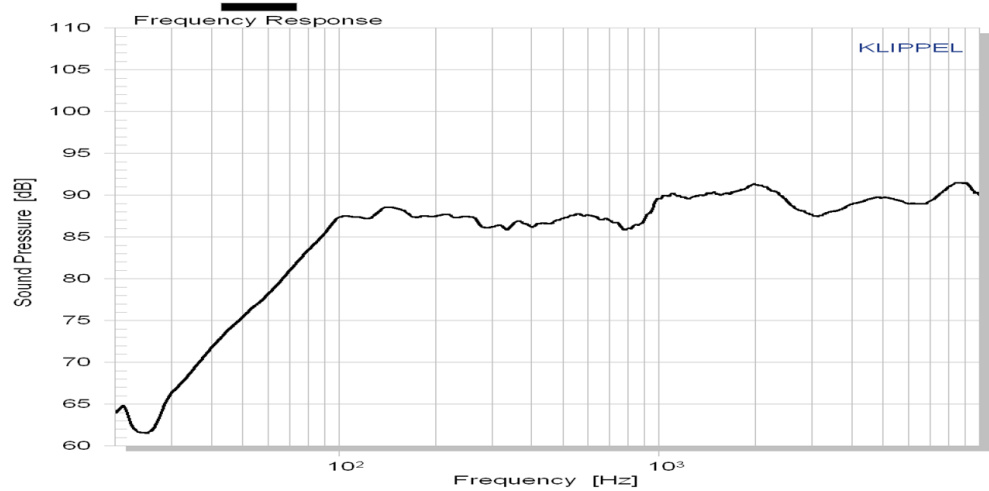
The **C90 - 6 - 078** is a 5 inch midrange driver with ultra hard ceramic dome.

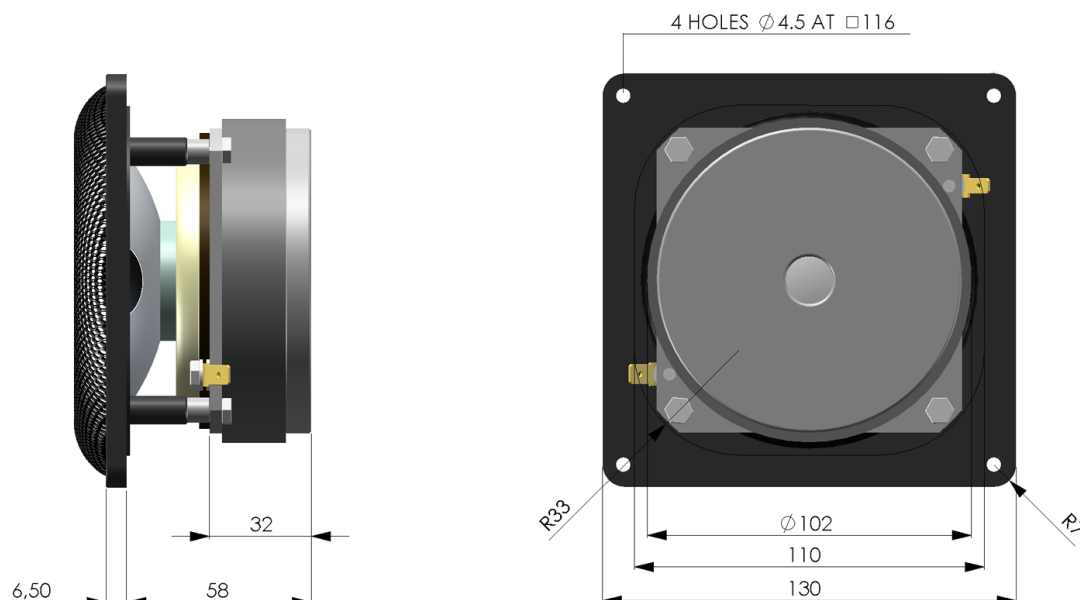
Anti-resonant **cutout fills** in the ceramic dome provide for damping of the 8 kHz dome resonance.

A **FEA optimized** overhung motor design with 38 mm aluminium voice coil former guarantees low energy storage and excellent heat transfer.

The low loss fabric surround and a **thin fabric spider** center the moving parts with high linearity.

As a typical home stereo midrange driver, we recommend our **C90 - 6 - 078** for an application from 200 Hz – 5000 Hz.





Mechanical data		
Overall square	130	mm
Cutout hole square	111	mm
Frontplate depth	6.5	mm
Overall depth	64.5	mm
Motor assembly diameter	102	mm
Motor assembly depth	32	mm
Screw fitting	DIN 7984, 4mm	
Terminal	+ : 6.3 x 0.8 / - : 6.3 x 0.8	
Shipping weight / net weight (one piece)	2.0 / 1.8	
Shipping size (pair)	180 / 180 / 240	

Thiele/Small Parameters			
Sensitivity (2.83V / 1m)	Lp	88*	dB
DC-resistance	Re	6.4	Ohm
Resonance frequency	Fs	100	Hz
Equivalent volume of air	Vas	3.9	L
Mechanical Q	Qms	2.4	
Electrical Q	Qes	1.52	
Total Q	Qts	0.92	
Effective piston area	Sd	86	cm <sup>2</sup>
Moving mass	Mms	6.96	g
Suspension compliance	Cms	0.36	mm/N
Mechanical resistance	Rms	1.86	kg x s

Voice Coil data			
Power handling	P	120*	Watt
Linear excursion	Xmax	+/- 3	mm
Voice coil diameter		38	mm
Voice coil former material		Al	
Voice coil material		Cu	
Voice coil inductance	Le	0.18	mH
Force factor	Bl	4.3	N/A
Motor type		Overhung	
Ferrofluid filling		no	

\* Please refer to [www.accuton.com](http://www.accuton.com) for exact measurement conditions and further information.