

Features :

- 142 mm AlMg alloy dome with variable thickness for higher first breakup mode
- Extremely low moving mass for better transient response and higher efficiency
- Fully saturated neodymium motor with copper sleeve for low non linear and modulation distortion
- Single-layer ribbon CCAW voice coil for lower inductance
- Underhung voice coil wound on titanium former
- 137 mm voice coil for low thermal compression

- Ring magnet system with large rear opening reduces backside reflections and improves dipole operation
- Natural silk surround and cotton spider from Dr. Kurt Müller GmbH & Co. for higher midrange resolution
- Surround hidden in basket rim allows significant reduction of mounting diameter
- Thick aluminium powder coated basket
- Gold plated wire terminals
- Recommended frequency range 180 Hz - 2,8 kHz

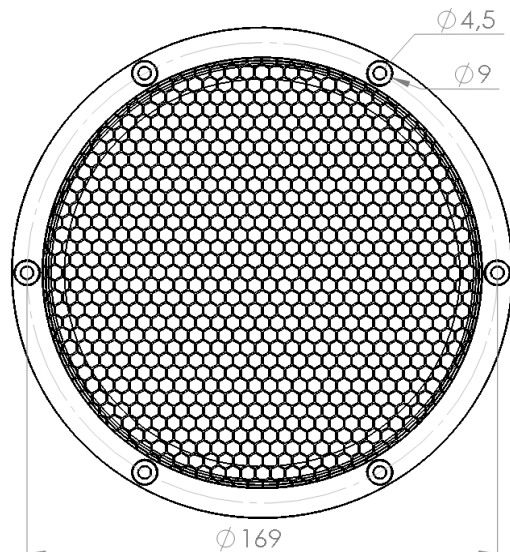
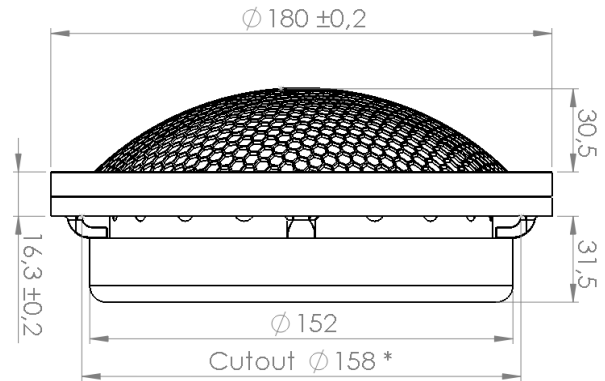
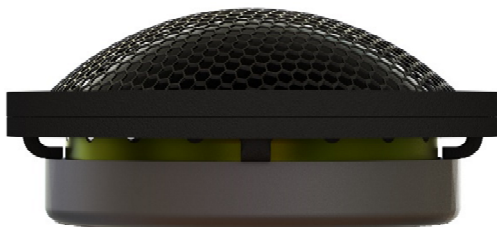
Specifications :

Nominal impedance	6 Ω
DC resistance, Re	5.4 Ω
Voice coil inductance, Le	0.03 mH
Sensitivity 2.83V/1m	94.5 dB
Effective piston area, Sd	180.3 cm ²
Moving mass, Mms	11 g
Force factor, Bl	8.8 T*m
Resonance frequency, Fs	65 Hz
Equivalent volume, Vas	24.6 L
Mechanical Q factor, Qms	8.3
Electrical Q factor, Qes	0.31
Total Q factor, Qts	0.3

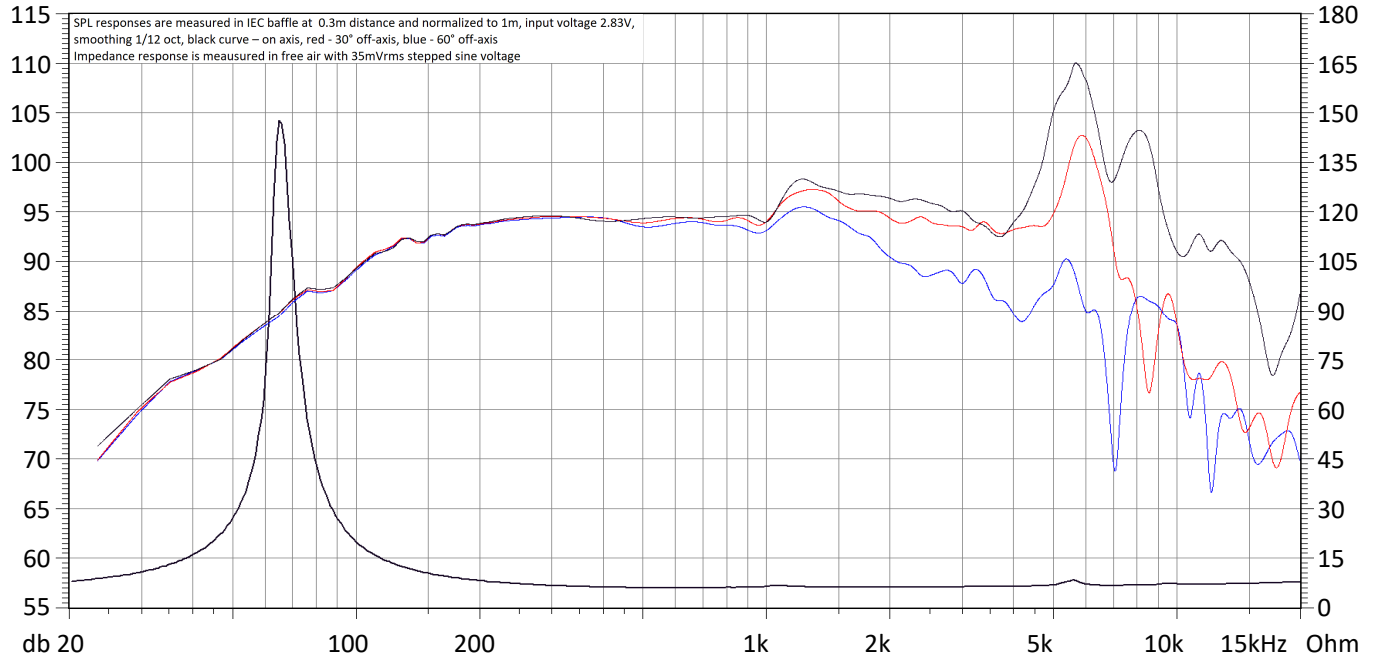
*Please refer to application notes

Mechanical resistance, Rms	0.54 kg/s
Compliance, Cms	0.54 mm/N
Magnetic flux density	1.35 T
Air gap height	5.7 mm
Linear excursion (p-p)	3.7 mm
Max. mech. Excursion (p-p)	6 mm
Voice coil diameter	137 mm
Voice coil height	2.0 mm
Voice coil layers	1
Wire material	CCA W
Rated power handling*	N/A W
Net weight	1.7 kg

Specifications are subject to change without prior notice



Front side frequency response



Rear side frequency response

