

SPECIFICATIONS

SW263WA01 / SW263WA03, 10¼" die cast, alu-cone subwoofers

SW263WA01 (8ohm version) and SW263WA03 (4ohm version) are large transducers designed for dedicated subwoofer applications. They function equally well for high-end hi-fi, high quality home theater systems, and top multimedia setups. They are also applicable for automotives.

The extremely stiff aluminium cone, the long linear throw, exaggerated ventilation, and the special dynamic linearization short-circuiting rings together make up for an unusually linear and low-distortion woofer. Even at very high signal levels, the unit behaves controlled and without distortion.

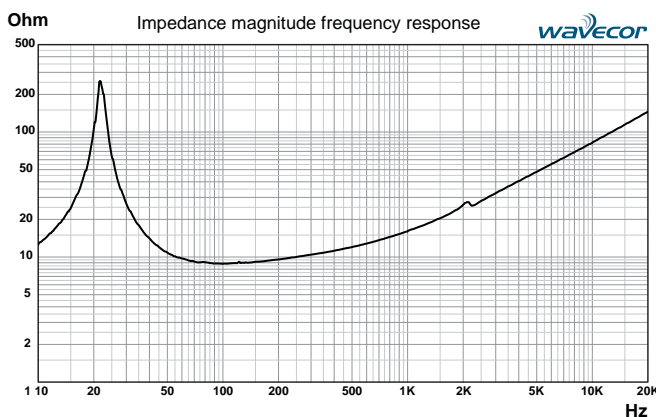
Due to low mechanical losses SW263WA01/03 master equally well low level details and extreme dynamic requirements.



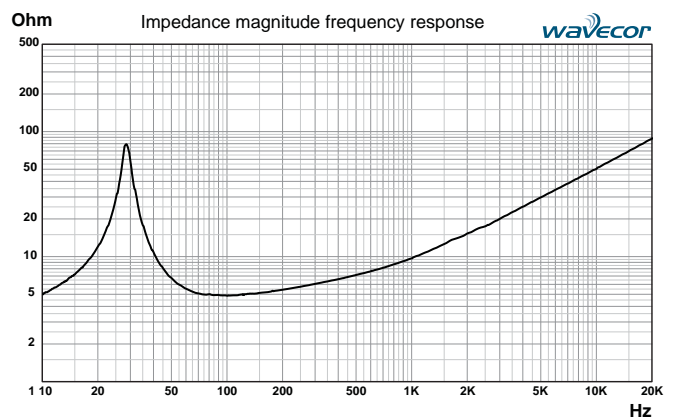
FEATURES

- Extremely rigid aluminium cone to ensure piston motion at high levels and for better heat transfer at high continuous power levels
- Die cast alu chassis with additional spacers for optimal ventilation and increased stroke
- Vented cone neck for reduced distortion and compression
- Vented chassis for lower air flow speed reducing audible distortion
- Heavy-duty black fiber glass voice coil bobbin to reduce mechanical losses resulting in better dynamic performance and low-level details
- Large motor system with 2" voice coil diameter and dual 145mm magnet for better control and efficiency
- Black-anodized magnet structure steel parts for increased heat dissipation and power handling
- Two built-in alu stabilizing rings for reduced high-level distortion by reducing variations in the magnetic field and reducing voice coil inductance variations
- Long linear stroke motor for reduced distortion at high levels
- Linear suspension with specially designed CONEX damper (spider) for long durability under extreme operating conditions

Parameter	Value, SW263WA01/SW263WA03	Unit
Nominal size	10¼	[inch.]
Nominal impedance	8 / 4	[ohm]
Recommended upper frequency limit	200	[Hz]
Sensitivity, 2.83V/1m, (average 100-300Hz)	84 / 87	[dB]
Voice coil diameter	50.95	[mm]
Voice coil height	30.9	[mm]
Air gap height	8.0	[mm]
Voice coil resistance, RDC	6.3 / 3.2	[ohm]
Voice coil inductance	1.3 / 0.85	[mH]
Magnet weight (dual ferrite)	2.7	[kg]
Effective radiating area, Sd	314	[sq.cm]
Power handling, continuous, IEC 268-5	200	[W]
Resonance freq., Fs	21.5 / 27	[Hz]
Moving mass, incl. air	148 / 157	[g]
Force factor, Bxl	17.9 / 14.1	[Tm]
Mechanical Q, Qm	18.8 / 11	-
Electrical Q, Qe	0.39 / 0.43	-
Total Q, Qt	0.39 / 0.41	-
Suspension compliance, Cms	0.37 / 0.22	[mm/N]
Equiv. air volume, Vas	52 / 31	[lit.]
Total unit net weight	6.5	[kg]



SW263WA01 impedance curve

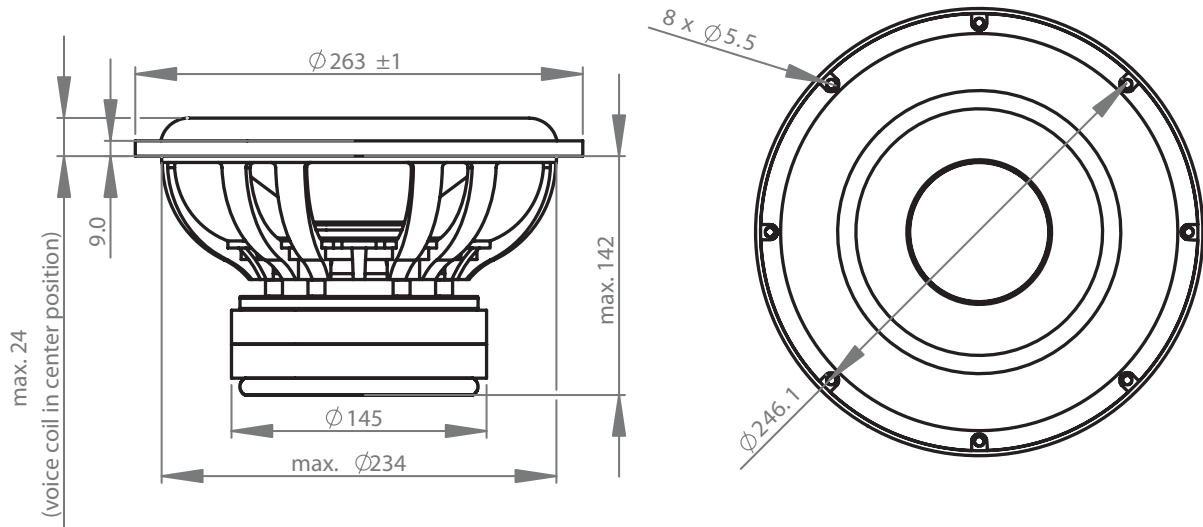


SW263WA03 impedance curve

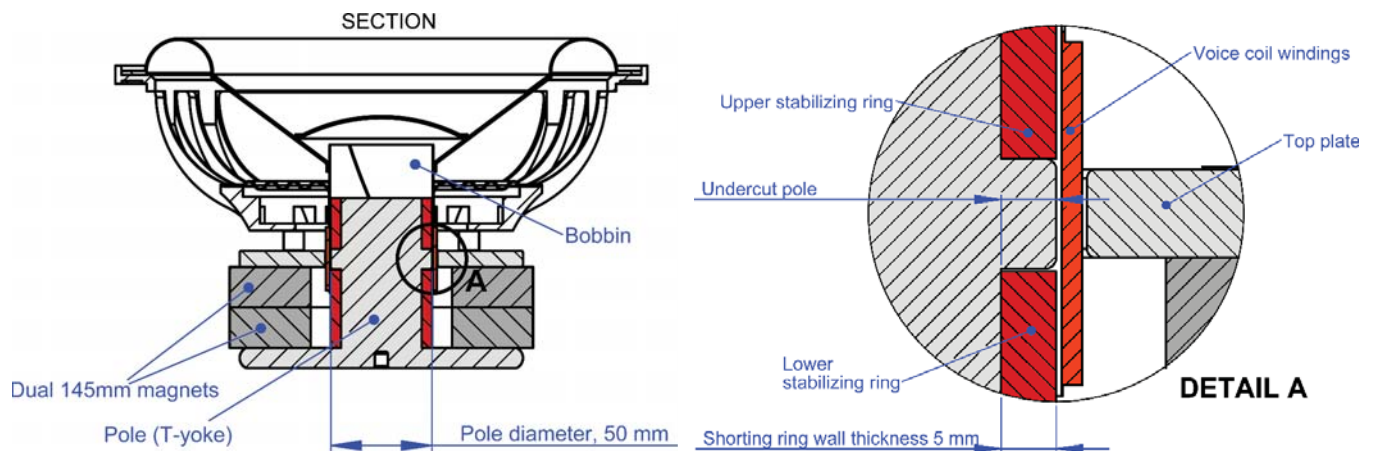
SPECIFICATIONS

SW263WA01 / SW263WA03, 10¼" die cast, alu-cone subwoofers

OUTLINE DRAWING (dimensions in mm)



MAGNET STRUCTURE CROSS SECTION



PACKAGING INFORMATION

SW263WA01-01	8 ohm, one piece per box
SW263WA03-01	4 ohm, one piece per box